

EK794

radio ripple control receiver

Performance features

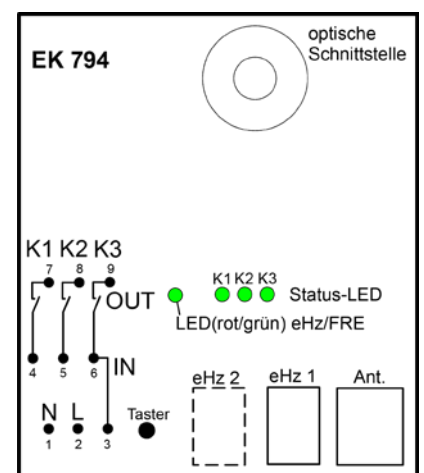
- ▲ Attachment using top hat rail assembly
- ▲ RRCR can be equipped with up to 3 electronic "load" relays (100 mA)
- ▲ Standardised interface for tariff switching at the domestic supply meter (SML protocol)
- ▲ Operation exclusively with remote antenna

Advantages of the Langmatz radio ripple control receiver

- ▲ **Mature technology**
 - Langmatz has delivered more than 1,000,000 radio ripple control receivers in the last 20 years
- ▲ **Lighting control**
 - The power costs of street lighting can be optimised with exact switching times, adapted to local circumstances
- ▲ **Tariff switching for special contract customers**
 - You can also reach your customers in other network areas with the radio ripple control
- ▲ **Load management**
 - You can control your dispositive load management simply with the control program in the receiver and have the option of changing it by radio command actively and precisely to the second
- ▲ **Special switching**
 - The radio ripple control can be individually programmed and implemented with ease



▲ EK794 - radio ripple control receiver



▲ EK794 - radio ripple control receiver, circuit diagram

Technical data - EK794 radio ripple control receiver

Designation	EK794 radio ripple control receiver (RRCR)
Housing colour	RAL 7035 (similar to grey)
Protection class	II (double-insulated)
Protection rating	IP51
Mounting	Top hat rail by adaptation
Operating temperature	-20 to +60° Celsius
Radio transmission format	DIN 19244 FT 1.2
Decoding format	LIC-Versacom compatible with DIN 43861-2-3
Parametrisation set	Pre-parametrised or non-parametrised according to customer request
Parametrisation interface	Optical according to IEC 1107
Interference resistance	EN 61037, EN 61000-4-2, -4-3, -4-4, -4-5, -4-8, -4-11, EN 50204
Interference emission	EN 55022, EN 55014-1
Reception display	LEDs, red and green on the receiver
Status display	By operating LED
Operating voltage	230 V AC
Power consumption	<2 VA
Wire diameter	6 x 2.5 mm ²
Configuration	3 electronic relays
Switching voltage	250 V/50 Hz
Switching current	100 mA per relay (up to 40° Celsius, otherwise 80 mA)

Technical data - housing

Material	Polycarbonate
Colour	RAL 7035 (similar to grey)
Protection rating	IP51
Protection class	II (double-insulated)
Dimensions	Height: 90 mm Width: 71 mm Depth: 65 mm
Cover	Sealable

