

EK330 ONT

Optical distribution and termination box

The Langmatz optical distribution and termination box (ONT) enables the management of up to 12 optical fibres on a flexible mounting panel integrated in a sturdy polycarbonate housing specified to protection class IP54. It is impressively easy to handle and install, and also meets the

high quality standards required for housing, laying, and commissioning sophisticated optical fibre technology. What's more, it is approved and eligible for Germany's national Broadband Funding Programme.

Advantages of Langmatz termination points

▲ Flexibility down to the last detail

- Ø 5, 7, 10 and 12 mm cable/micropipe inlet/outlet options top and bottom
- Rotatable mounting panel for fibre management and adapter/splice protection management
- Separate expansion for adapters and pigtails, supported by an individual 6-piece adapter guide with predetermined breaking points
- Removable splice cassette for splicing fibres
- Accommodates commercially available strain relief for micropipes
- Series installation of additional housings is possible on both sides for capacity upgrades
- Installation/commissioning/service without special tools
- Various locking mechanism options for the housing, with sealing option

▲ Area of application

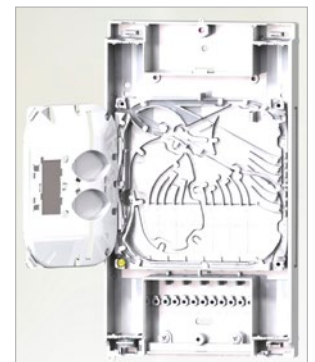
- Handover to customer network
- Single family home/multiple family dwelling and/or corporate
- Can be used for a plug connection, fusion splice and coupler

▲ Stability and safety – for installation and operation

- Fibre management via a guide in the housing and in the splice cassette
- Protected area for safe connection and cable management
- Bending radii maintained using predefined fibre guides
- Outlet cable protected by a silicone seal
- Adapter replacement during ongoing operation



▲ Closed ONT



▲ ONT interior with open splice cassette

Technical data

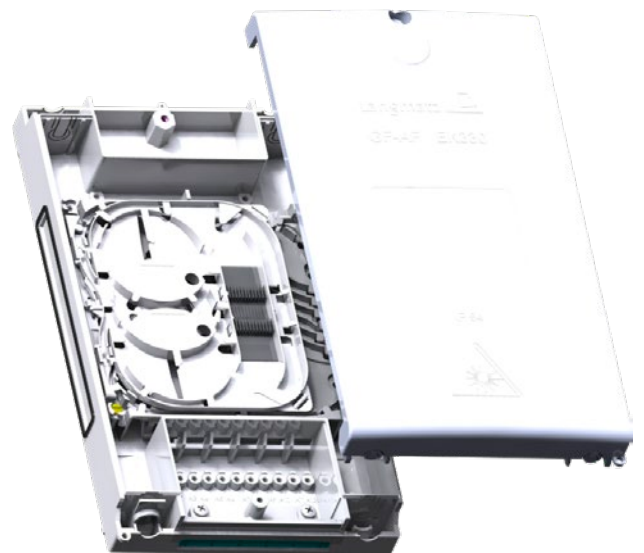
Designation	EK330 Gf-AP
Dimensions W x H x D	160 x 285 x 46 mm
Weight	Approx. 600 g
Housing material	Polycarbonate
Housing colour	Light grey (RAL 7035)
Cable micropipes	Inlet/outlet for Ø 5, 7, 10 and 12 mm micropipes
Closing mechanism	Sealable, Phillips-head screw, prepared for M4 grooved bolt
Mounting panel	Pivotable by 90° depending on application (4 positions)
Splice cassette	Tray of 12 crimp splice protectors / PLC splitter
Number of fibres	Maximum 12 optical fibres
Adapter section	- 6x LC Duplex, 6x SC Simplex, E2000 or mixed - Cable outlet (without connector) with strain relief options
Screws	Stainless steel
Temperature range	-33° bis 70° C
Protection class	IP 54
Degree of shock resistance	IK 06
Quality features	Pigtails/adapters LC, SC, APC (green) Ferrule: ceramic, zirconia Fibre type: single-mode ITU-T, G.657A, grade B, E9/125 900µ Optical parameters of plug connection for 1,310 and 1,550Nm Attenuation value: 0.15 / 0.5dB (average / >99% of all cases) ORL: >70 / >55dB (open/closed)

Markings

- ▲ Laser safety symbol
- ▲ Laser-cut customer logo on cover – on request

Package includes

- ▲ 1x housing with cover
- ▲ 1x mounting panel with 10mm multi-fibre cassette
- ▲ 2x sealing elements for cable outlet
- ▲ 14x serrated screws for fibre strain relief
- ▲ 1x closing plate for adapter section
- ▲ 1x sealing for housing installation in series
- ▲ 2x optical fibre cable/micropipe fixing elements
- ▲ Installation set for wall installation (screws, dowels, drilling template)
- ▲ Installation instructions



▲ ONT interior with open splice cassette