

EK440 compact ONT

optical distribution and termination box

The Langmatz compact optical distribution and termination box (ONT) enables the management of up to 12 optical fibres integrated in a sturdy polycarbonate housing specified to protection class IP54. It is impressively easy to handle and install, and also meets the high quality stand-

ards required for housing, laying, and commissioning sophisticated optical fibre technology. What's more, it is approved and eligible for Germany's national Broadband Funding Programme.

Advantages of Langmatz termination points

▲ Flexibility down to the last detail

- Ø 5, 7, 10 and 12 mm cable/micropipe bottom inlet/outlet options left and right
- Removable mounting panel for fibre management and adapter/splice protection management
- Slot for 6 adapters
- Accommodates commercially available strain relief for micropipes
- Installation/commissioning/service without special tools
- Various locking mechanism options for the housing, with sealing option

▲ Area of application

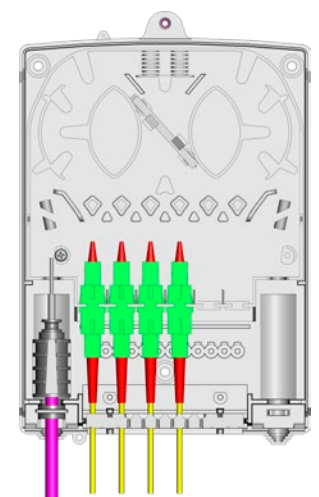
- Handover to customer network
- Single family home/multiple family dwelling and/or corporate
- Can be used for a plug connection, fusion splice and coupler

▲ Stability and safety – for installation and operation

- Fibre management via a guide in the housing and in the splice cassette
- Protected area for safe connection and cable management
- Bending radii maintained using predefined fibre guides
- Outlet cable protected by a silicone seal
- Adapter replacement during ongoing operation



▲ Closed ONT compact



▲ ONT interior with open splice cassette

Technical data

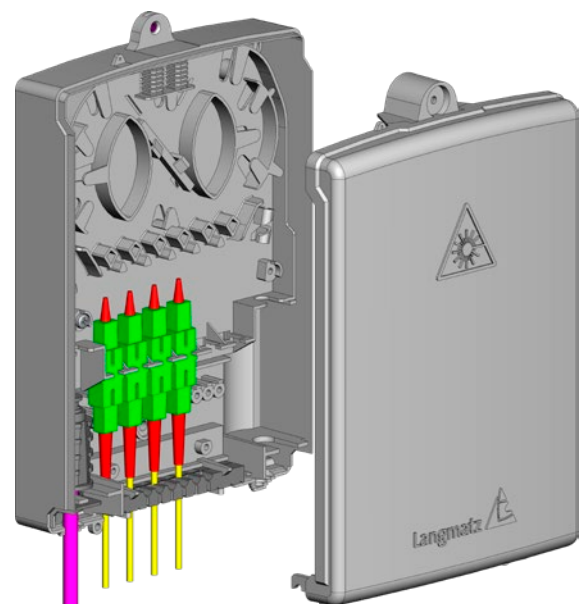
Designation	EK440 compact ONT
Dimensions W x H x D	163 x 242 x 46 mm
Weight	Approx. 500 g
Housing material	Polycarbonate
Housing colour	Light grey (RAL 7035)
Cable micropipes	Inlet/outlet for Ø 5, 7, 10 and 12 mm micropipes
Closing mechanism	Sealable, Phillips-head screw, prepared for M4 grooved bolt
Mounting panel	Removable; management of 12 crimp or shrink splices (depending on version; also accomodates PLC splitter)
Splice cassette	Tray of 12 crimp splice protectors/PLC splitter
Number of fibres	Maximum 12 optical fibres
Adapter section	- 6x LC Duplex, 6x SC Simplex, E2000 (with restrictions) or mixed - Cable outlet (without connector) with strain relief options
Temperature range	-33° bis 70° C
Protection class	IP 54
Degree of shock resistance	IK 06
Quality features	Pigtails/adapters LC, SC, APC (green) Ferrule: ceramic, zirconia Fibre types: single-mode ITU-T, G.657A, grade B, E9/125 900 µ Optical parameters of plug connection for 1,310 and 1,550 Nm Attenuation value: ≤ 0.15 / ≤ 0.5 dB (average / >99% of all cases) ORL: >70 / >55 dB (open/closed)

Marking

- ▲ Laser safety symbol

Package includes

- ▲ 1x housing with cover
- ▲ 1x mounting panel
- ▲ 2x sealing elements for cable outlet
- ▲ Installation instructions



▲ Gf-AP compact