

EK510 flex – Underground distribution systems

Product features – Body

▲ Innovative manhole structure with 3D ribFrame

Modular, resistant, and durable system solution that can be adapted to the specific location

▲ Modular manhole structure

Flexible, adapts to the respective situation, and easy to handle

▲ Modified polycarbonate (PC)

Hard-wearing, certified groundwater compatibility, UV-resistant



Product features – Cover

▲ Submersion hood (swivelling)

Ideal for areas at risk of flooding

▲ Locking mechanism and cable outlet flush with the ground

No risk of tripping; secure cable routing with shear protection

▲ Cover/submersion hood safety catch

Enhanced accident prevention and safe operation of the equipment compartment

▲ Opening support for submersion hood

Ease of opening due to low weight of submersion hood, or using two stainless steel gas springs

▲ Positive opening function

Access also when iced over; dirt-resistant

▲ Cover/lid

Plastic cover and submersion hood permit the transmission of radio waves



▲ EK510 flex - open

Submersion hood extension variants

▲ Mounting panel

- Individualised extension options are possible for the submersion hood

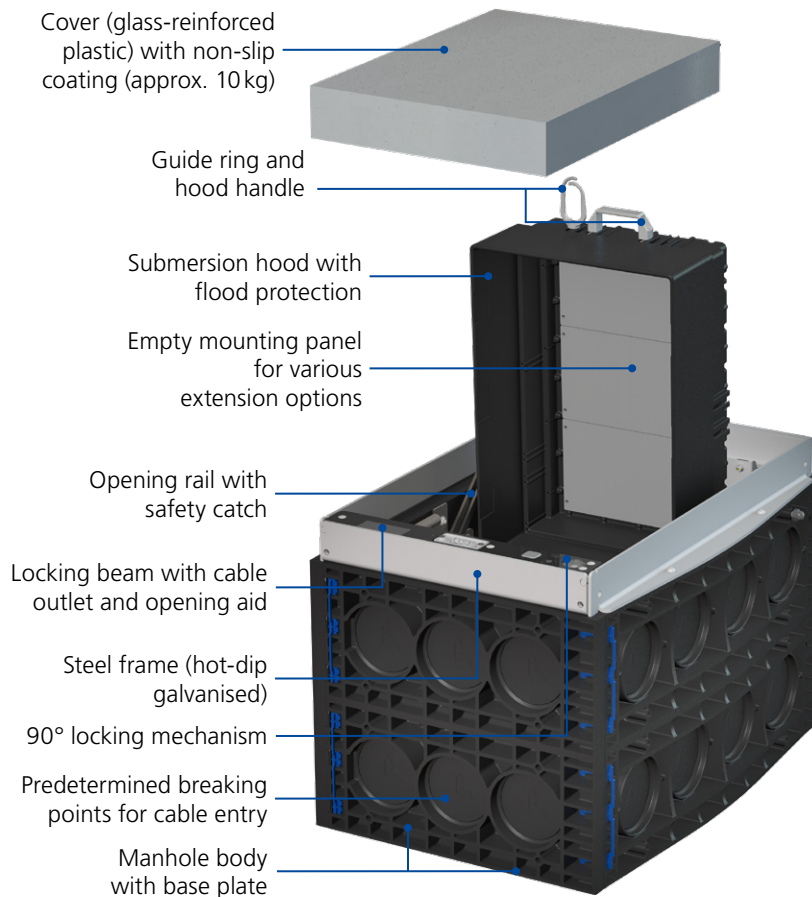


▲ Example: Empty mounting panel

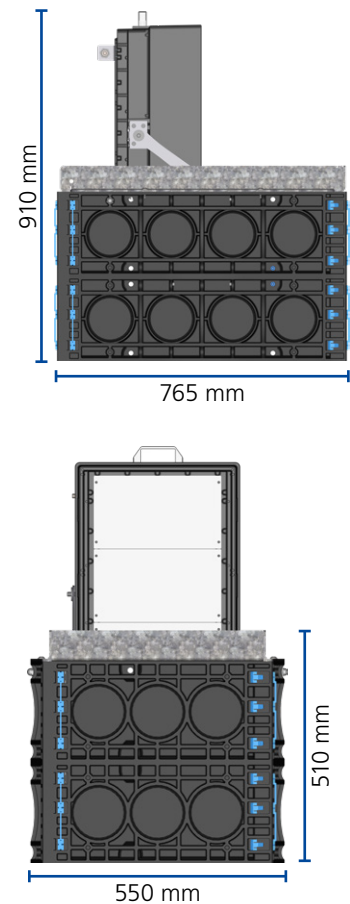


▲ EK510 flex - closed with plastic cover

Structure



Dimensions



Technical data

Designation	EK510 flex
Clear dimensions	400 x 650 mm (WxD)
External dimensions	550x765x510 mm/opens to 910 mm (WxLxH)
Total weight	Approx. 53 kg
Cover weight	Approx. 10 kg
Max. load class	125 kN or 12.5 tonnes
Protection rating	closed: IP48/open: IP 44 (as per DIN EN 60529)
Maximum installation space for submersion hood	277x477x70 mm (WxLxD), max. installation depth of electrical components 45 mm for a 1 m water column
Cover material	Cover: plastic (glass-reinforced plastic) with non-slip coating Steel frame: steel (hot-dip galvanised)
Submersion hood material	polycarbonate (PC)
Mounting panel material	polycarbonate (PC)
Body material	polycarbonate (PC)