

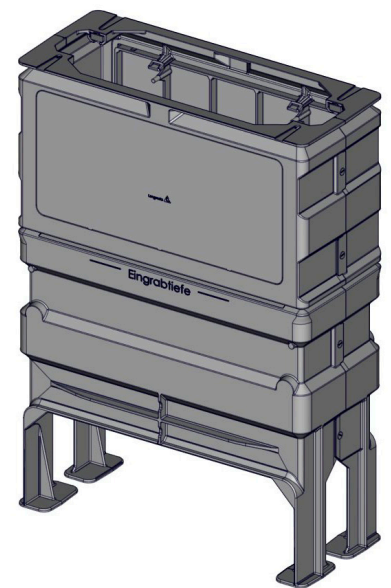


Outdoor pedestal EK 265 2.0 for CDC 82 | Optical fibre network distributor

With 30 years of experience as system supplier for outdoor cabinets and pedestals, Langmatz is a competent and reliable partner. The use of polycarbonate ensures high mechanical strength and lifelong weather resistance. Langmatz recycles using an especially developed process and thus supports a sustainable use of resources.

Advantages of the outdoor pedestal EK 265 2.0

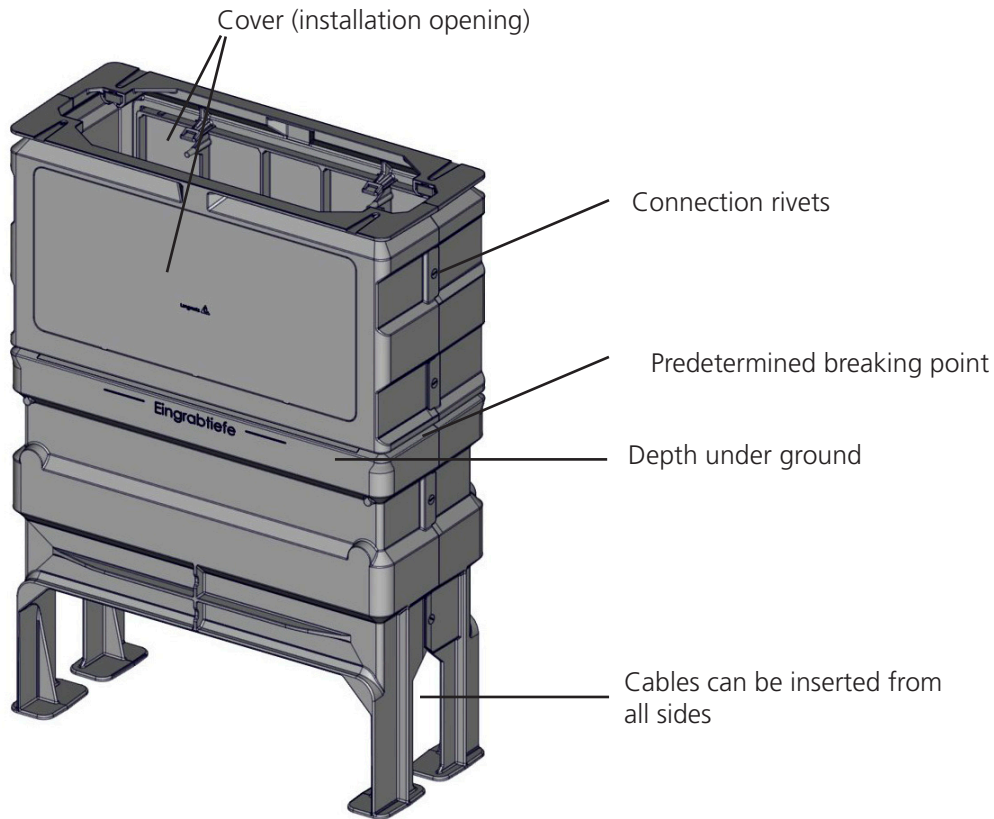
- Predetermined breaking point prevents cost-intensive excavation, asphaltting or pavement work in the case of damages due to an accident
- Predetermined breaking point easy to retrofit
- Cable/pipe bundle can be inserted from all sides
- Vertical separability enables the pedestal to be installed over existing cables
- Integrated strain reliefs
- Tested and released in accordance with the guidelines of Deutsche Telekom
- Enlarged inlet space
- Fast, easy installation



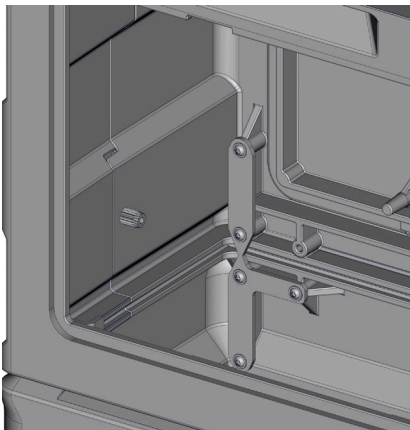
Technical data

Designation:	Outdoor pedestal EK 265 2.0
Material:	Polycarbonate (PC)
W x H x D:	754 x 1060 x 310 mm
Housing colour:	RAL 7038
Predetermined breaking point:	Included
Use:	Optical fibre network distributor EK 245 CDC 82

Design

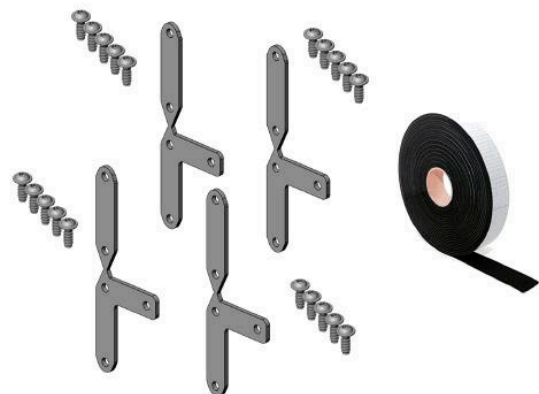


Predetermined breaking function



Predetermined breaking function is maintained through appropriate sizing of the predetermined breaking element.

Predetermined breaking set



Predetermined breaking set, item no.:
700 879 910/001