

Protective pipe seal EK 186

Protection for your cables, pipes and manholes

The Langmatz protective pipe seal EK 186 is designed to effectively prevent the sanding or silting up of cable installation pipes and polycarbonate manholes. The secure seal to the cable is achieved via a special insert made of special egg-crate foam. Once installed, it always remains sand-proof. An additional practical advantage presented by the protective pipe seal EK 186 is that it can be opened up, and thus can also be used with cables and manholes that have already been installed.



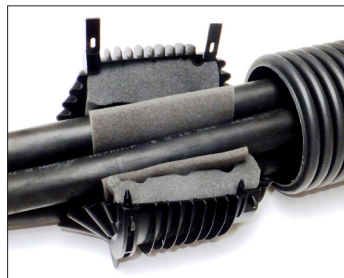
Protective pipe seal EK 186

Technical data

Designation:	Protective pipe seal EK 186
Material:	PE (TPE/EVA) depending on design
Colour:	Black / anthracite



Protective pipe seal in the cable installation pipe

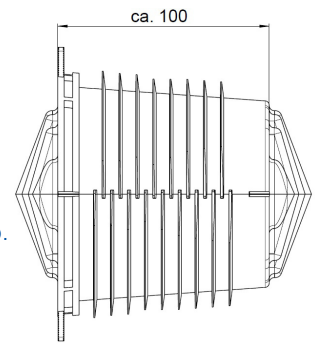


Protective pipe seal in corrugated pipe
star-shaped sealing insert

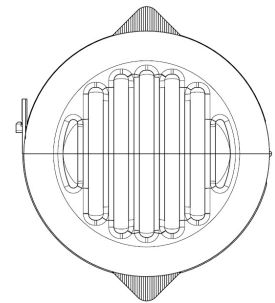
Available in the following sizes

The protective pipe seal EK 186 can be used for plastic pipes according to DIN 8062 or Corrugated pipe at the end of spray wand fibre closures and for manhole openings with corresponding cable receivers.

External diameter	Preferred wall thickness	Langmatz type	Langmatz order No.
Ø 50 mm	1.5 to 2.4 mm or Corrugated pipe inside Ø 52 mm / DN 63	EK 186/50	08 186 0050
Ø 63 mm	1.9 to 3.0 mm or Corrugated pipe inside Ø 62 mm / DN 75	EK 186/63	08 186 0063
Ø 75 mm	2.2 to 3.6 mm	EK 186/75	08 186 0075
Ø 90 mm	2.7 to 4.3 mm	EK 186/90-1	08 186 3090
Ø 110 mm	Corrugated pipe inside Ø 93 mm / DN 110	EK 186/110-WR	08 186 9110
Ø 110 mm	3.2 to 5.3 mm	EK 186/110-3	08 186 3110
Ø 125 mm	3.7 to 6.0 mm	EK 186/125-3	08 186 3125
Ø 140 mm	4.1 to 6.7 mm	EK 186/140	08 186 0140
Ø 160 mm	4.7 mm	EK 186/160	08 186 0160
Ø 200 mm	5.9 mm	EK 186/200	08 186 4200



Side view



Front view



Various sizes

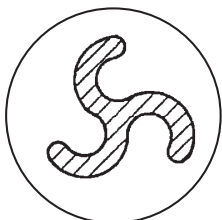
Accessories

Star-shaped sealing insert

The star-shaped foam insert can be fitted between the cables if there are several cables with a smaller diameters.

Variant for 3 cables

all types/external diameters
Order No. 70 026 6500



Variant for 5 cables

all types/external diameters
Order No. 70 022 5300

